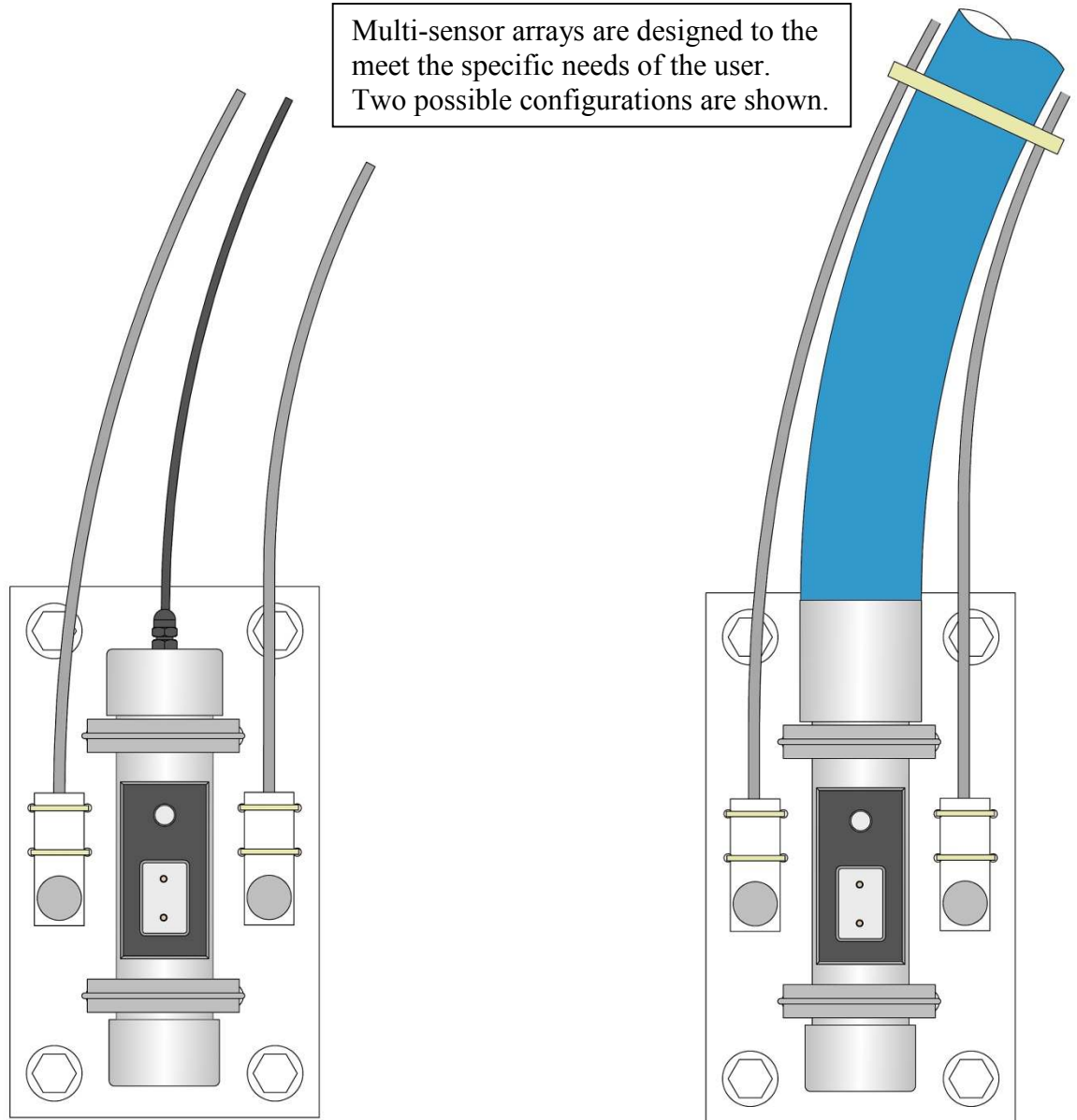


# Model SA – Multi Sensor Arrays

Multi-sensor arrays allow a corrosion engineer to easily install several types of corrosion sensors at a single location. Data from these sensors can give a more complete picture of the corrosion activity at that location.

At the core of a multi-sensor array is an EDI Model UC concentric cathodic protection (CP) coupon which significantly eliminates voltage drop error in current-on potential measurements. Additional sensors can be ER probes, LPR probes, 4-wire soil resistivity probes or any other sensor suitable for underground use. The array can be designed as a stand-alone unit or provided with an access tube to a surface test station.

Multi-sensor arrays are designed to meet the specific needs of the user. Two possible configurations are shown.



[www.edi-cp.com](http://www.edi-cp.com)



**[electrochemical devices, inc.](http://www.edi-cp.com)**

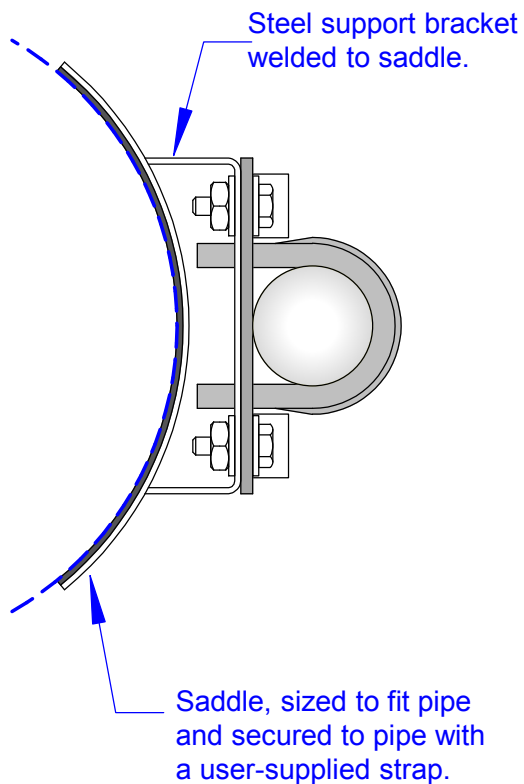
PO Box 789, Middlefield, OH 44062 440-632-5616

[info@edi-cp.com](mailto:info@edi-cp.com)

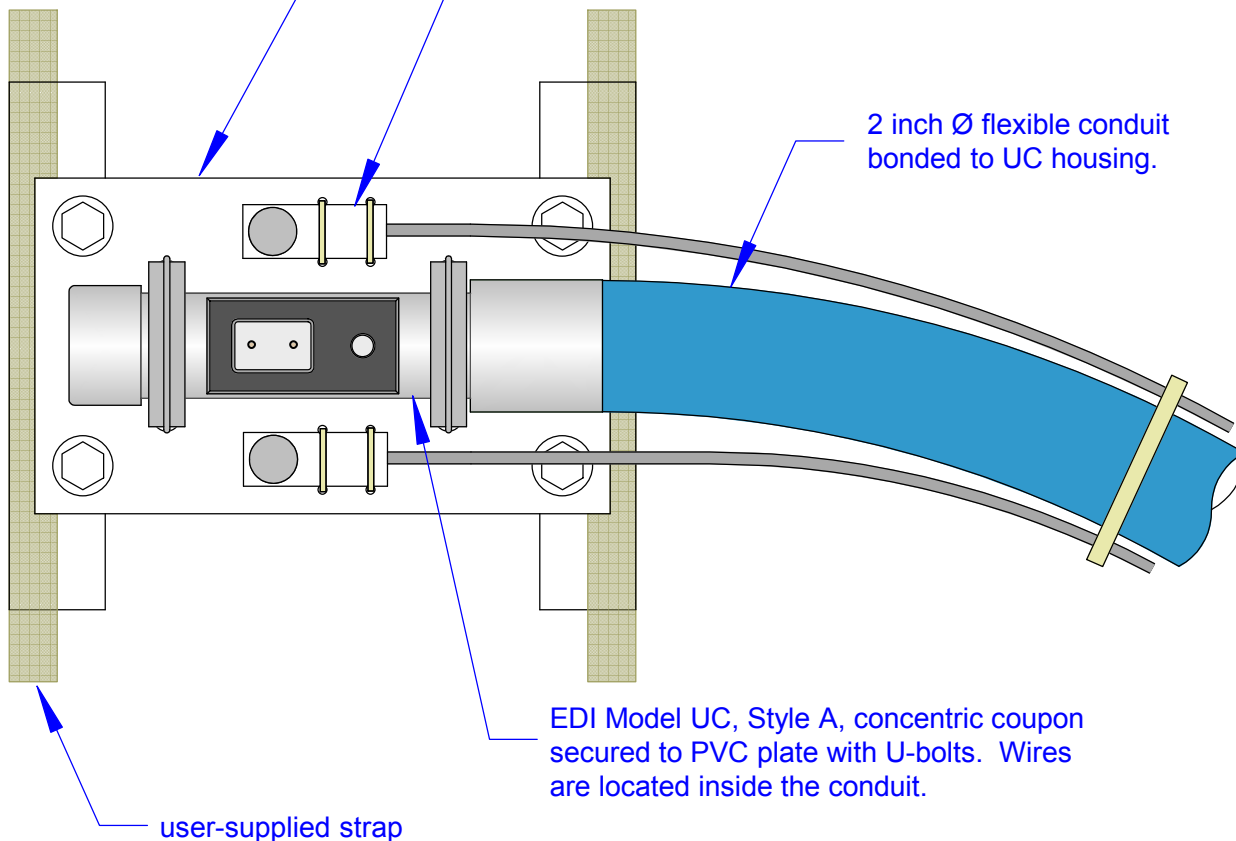
[www.edi-cp.com](http://www.edi-cp.com)

*S Series  
Special  
Products*

Model SA Style A (with Access Tube)  
 CP data sensor array for attachment to underground pipe. Access tube allows potential measurements with either the optional built-in zinc reference or a surface reference through the access tube.



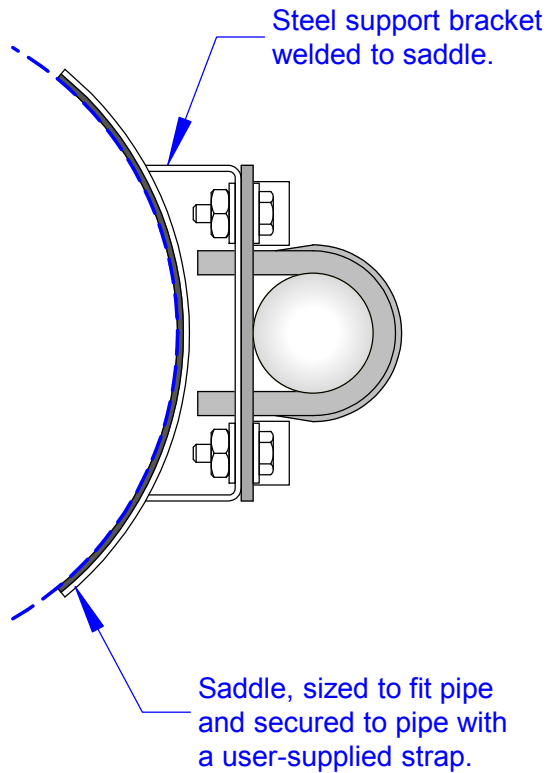
1/4 inch PVC plate,  
 7 inch x 12 inch



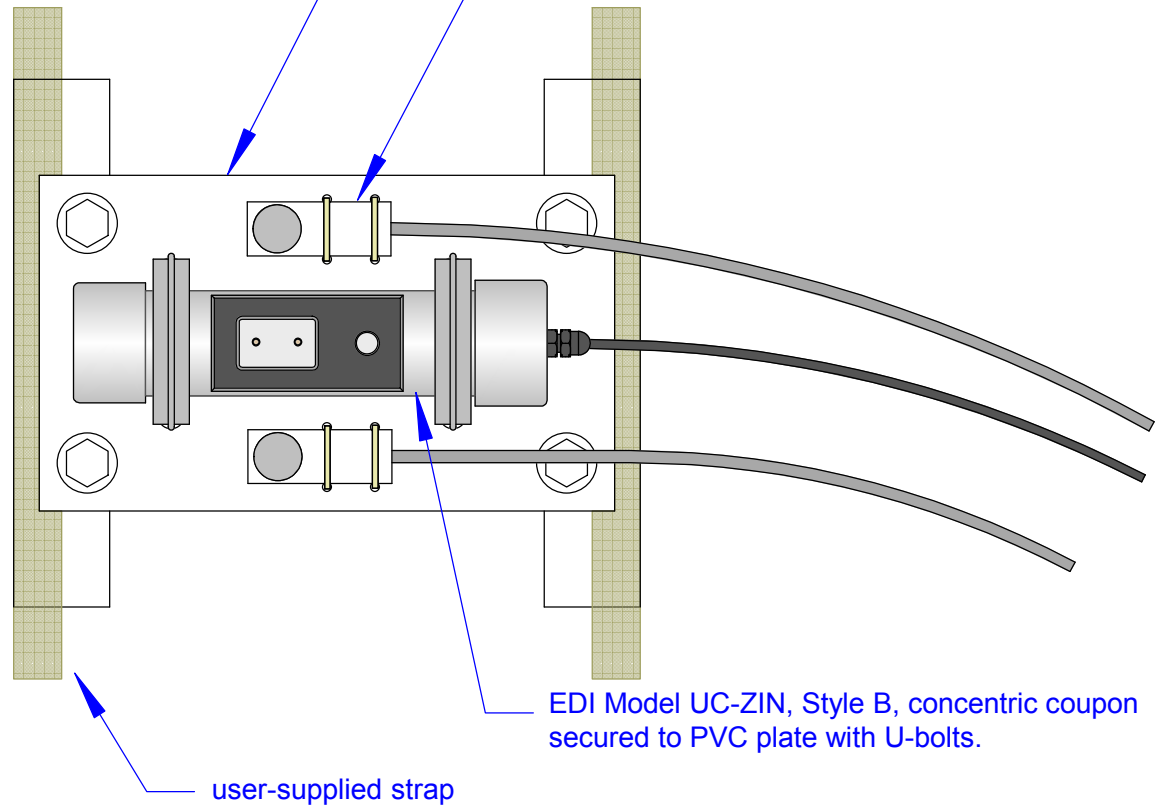
Note 1: Sensors and concentric coupon/conduit assembly are attached to PVC plate at factory. Saddle bracket is bolted to plate during field installation using supplied bolts.

Note 2: During installation, after area around conduit has been backfilled, conduit is to be filled with a slurry of one part bentonite, four to five parts sand.


Model SA Style B (without Access Tube)  
CP data sensor array for attachment to underground pipe.



1/4 inch PVC plate,  
7 inch x 12 inch



Note 1: Sensors and concentric coupon/conduit assembly are attached to PVC plate at factory. Saddle bracket is bolted to plate during field installation using supplied bolts.

 **electrochemical devices, inc.**  
PO Box 789, Middlefield, OH 44062 440-632-5616

## Sensor Array without Access Tube

© EDI 2015

www.edi-cp.com

info@edi-cp.com

SCALE 1:4

DRAWN BY FJA

DATE 22 JUL 2015

DRAWING NO. SA-6