

# Model CX – Special Products

EDI can customize any of its concrete products or design special products to meet the unique requirements of a particular application. These products are designated as Model CX followed by a sequence number. Contact us for additional information on any of these products.

## Special and Custom Concrete Products:

<u>Model</u>	<u>Description</u>
CX04	Model CX04 is a through-wall steel probe.
CX07	Model CX07 has been re-designated as Model CB15-AGG. Its length has been reduced to 3 inches (8 cm) and the diameter increases to 2 inches (5 cm). Design life is 15 years. Refer to Model CB data sheet for additional information.
CX08	Model CX08 is a rebar probe fitted to a small rebar cage so it can be easily installed by welding the assembly to the rebar net. It is used in conjunction with a Model CB for polarization resistance measurements of corrosion rate.
CX09	Model CX09 has been re-designated as Model CB50-AGG. The gel chamber has been lengthened to 7 inches (18 cm) and the diameter increased to 2 inches (5 cm) in order to extend the design life to 50 years. Refer to Model CB data sheet for additional information.
CX11	Model CX11 is a Mixed Metal Oxide pseudo-reference.
CX12	Model CX12 is a steel coupon encapsulated in Portland cement.

www.edi-cp.com



**electrochemical devices, inc.**

PO Box 789, Middlefield, OH 44062 440-632-5616

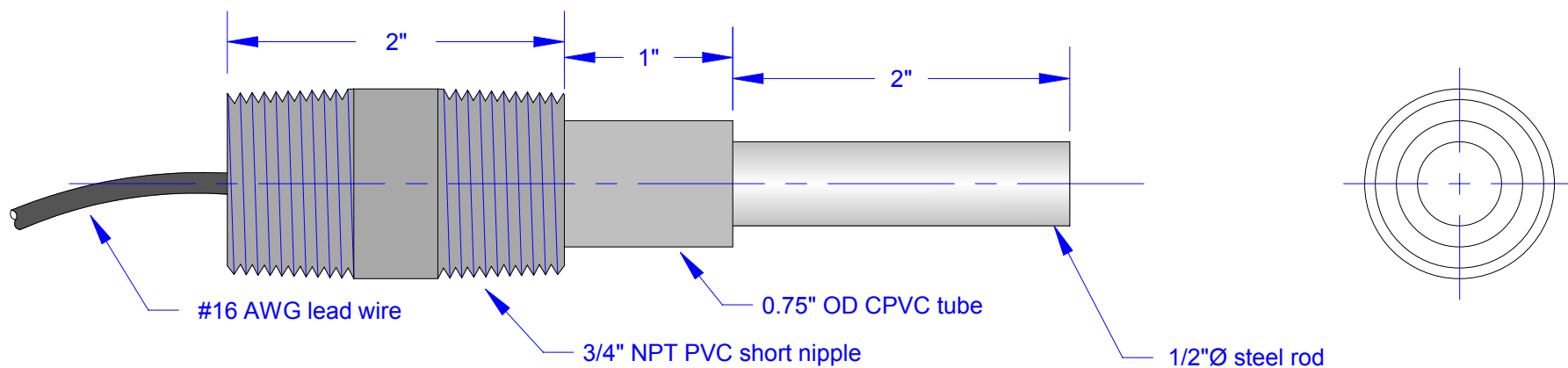
info@edi-cp.com

www.edi-cp.com

*C Series  
Concrete  
Products*

## Model CX04-STL-LWnnn

where nnn = length of lead wire in feet



**electrochemical devices, inc.**  
PO Box 789, Middlefield, OH 44062 440-632-5616

## Through Wall Steel Probe

© EDI 2001

www.edi-cp.com

info@edi-cp.com

SCALE FULL

DRAWN BY FJA

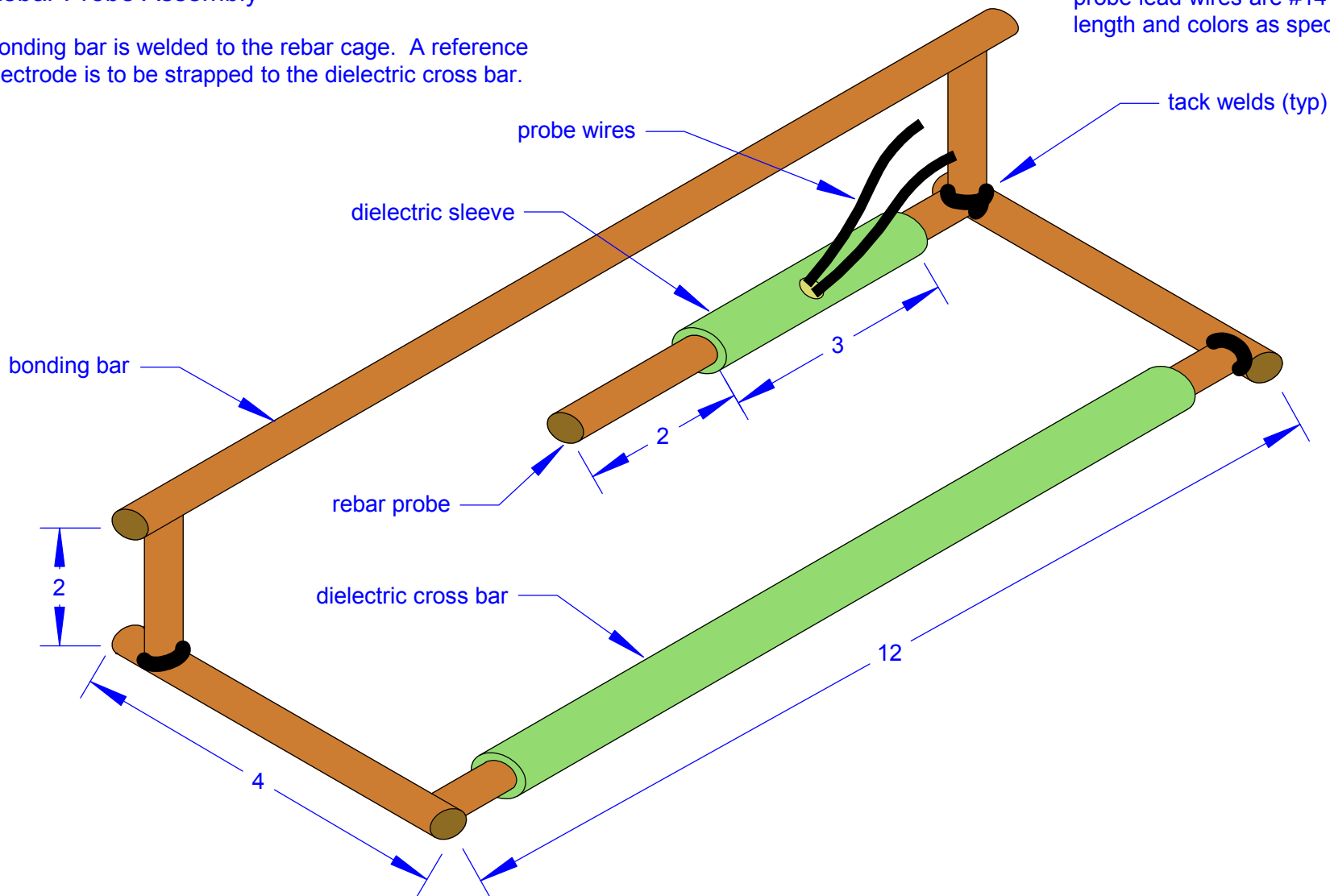
DATE 01 JUL 2001

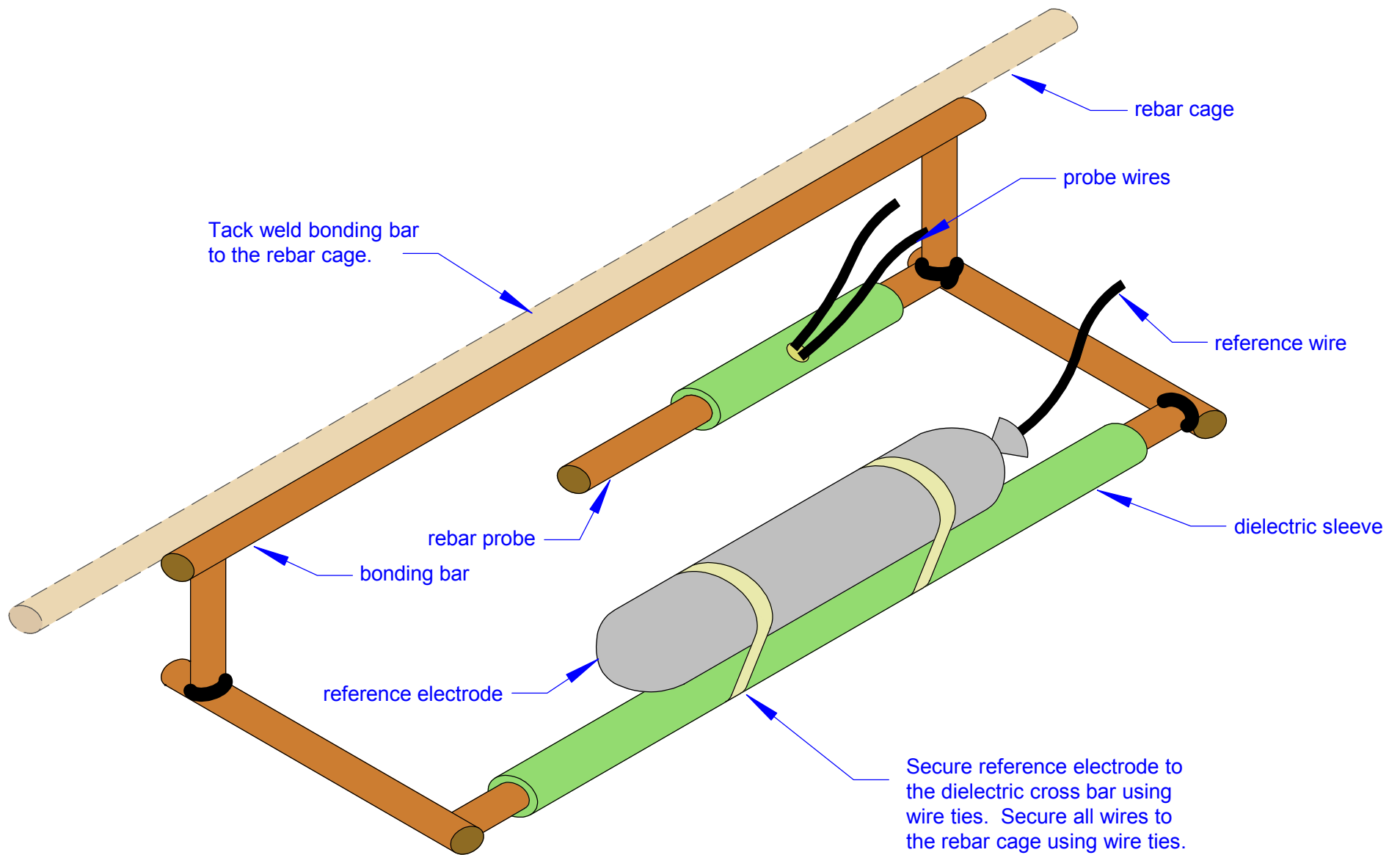
DRAWING NUMBER CX04-1

Specify as EDI Model CX08-REB  
 Rebar Probe Assembly

Bonding bar is welded to the rebar cage. A reference electrode is to be strapped to the dielectric cross bar.

probe lead wires are #14 AWG RHW  
 length and colors as specified





**electrochemical devices, inc.**  
 PO Box 789, Middlefield, OH 44062 440-632-5616

## Probe/Reference Assembly Installation

© EDI 2015

www.edi-cp.com

info@edi-cp.com

SCALE HALF

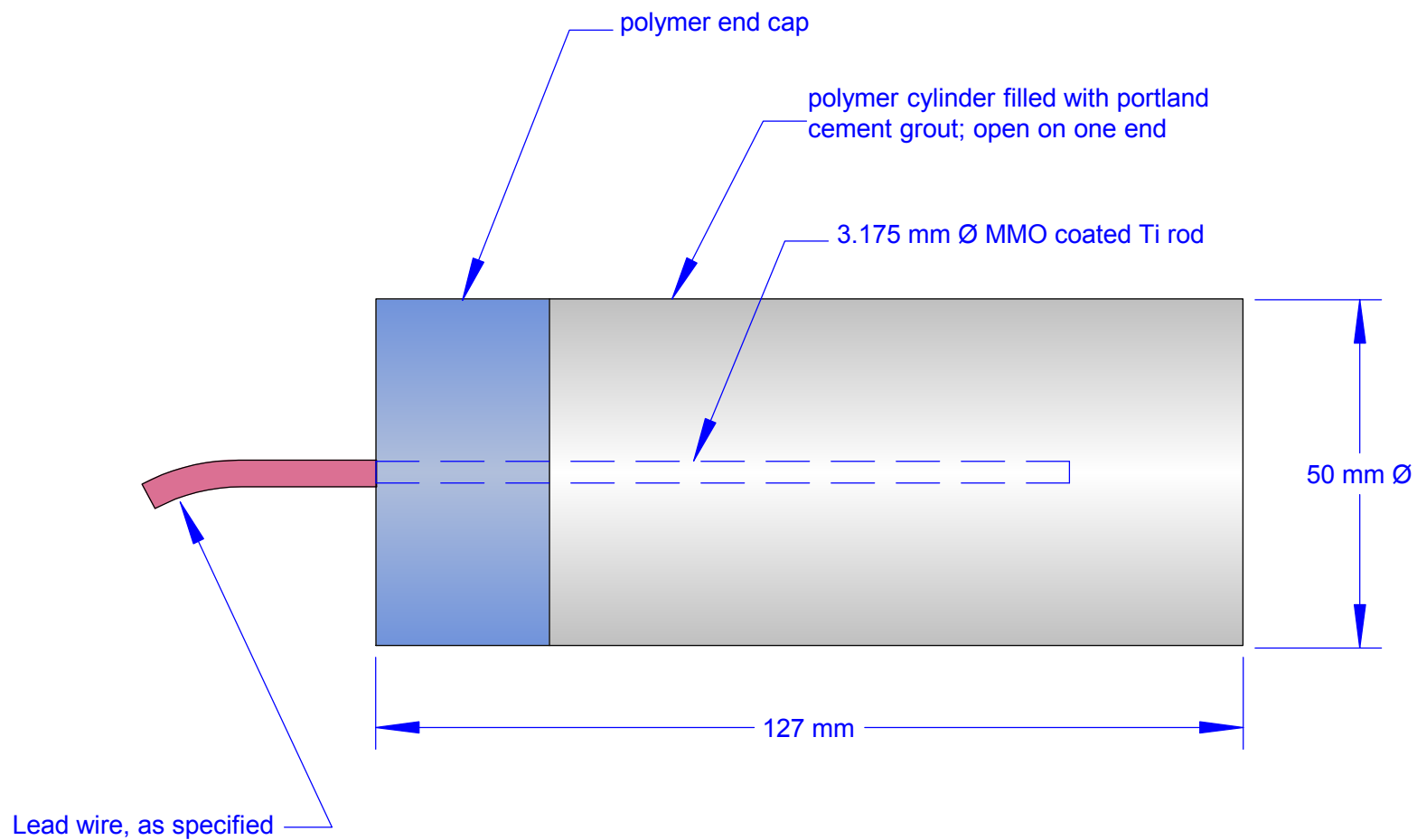
DRAWN BY

FJA

DATE 26 MAY 2015

DRAWING NUMBER

CX08-5



Dimensions and materials are as specified by customer.

